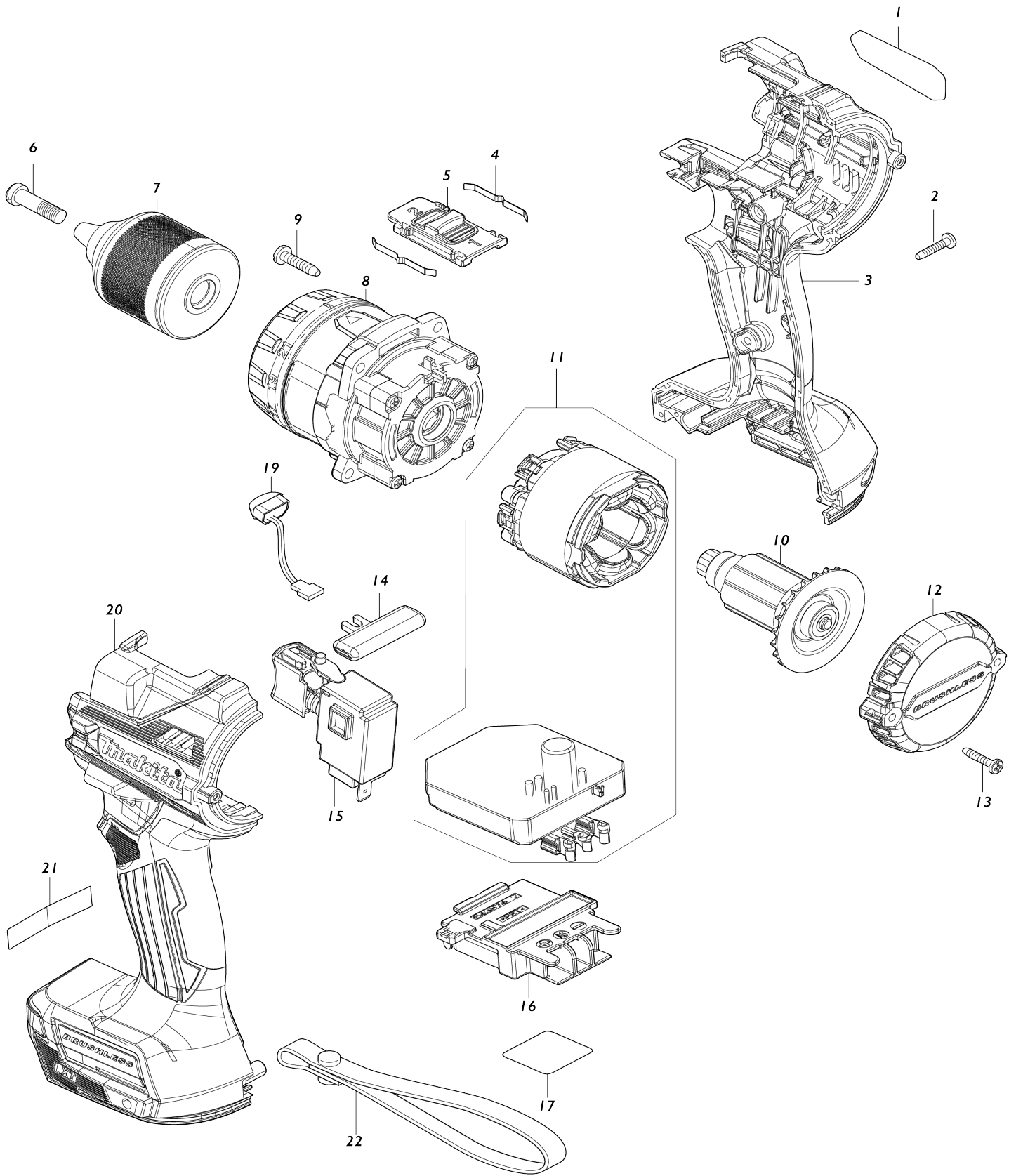


Model No.DDF486 CORDLESS HAMMER DRIVER DRILL

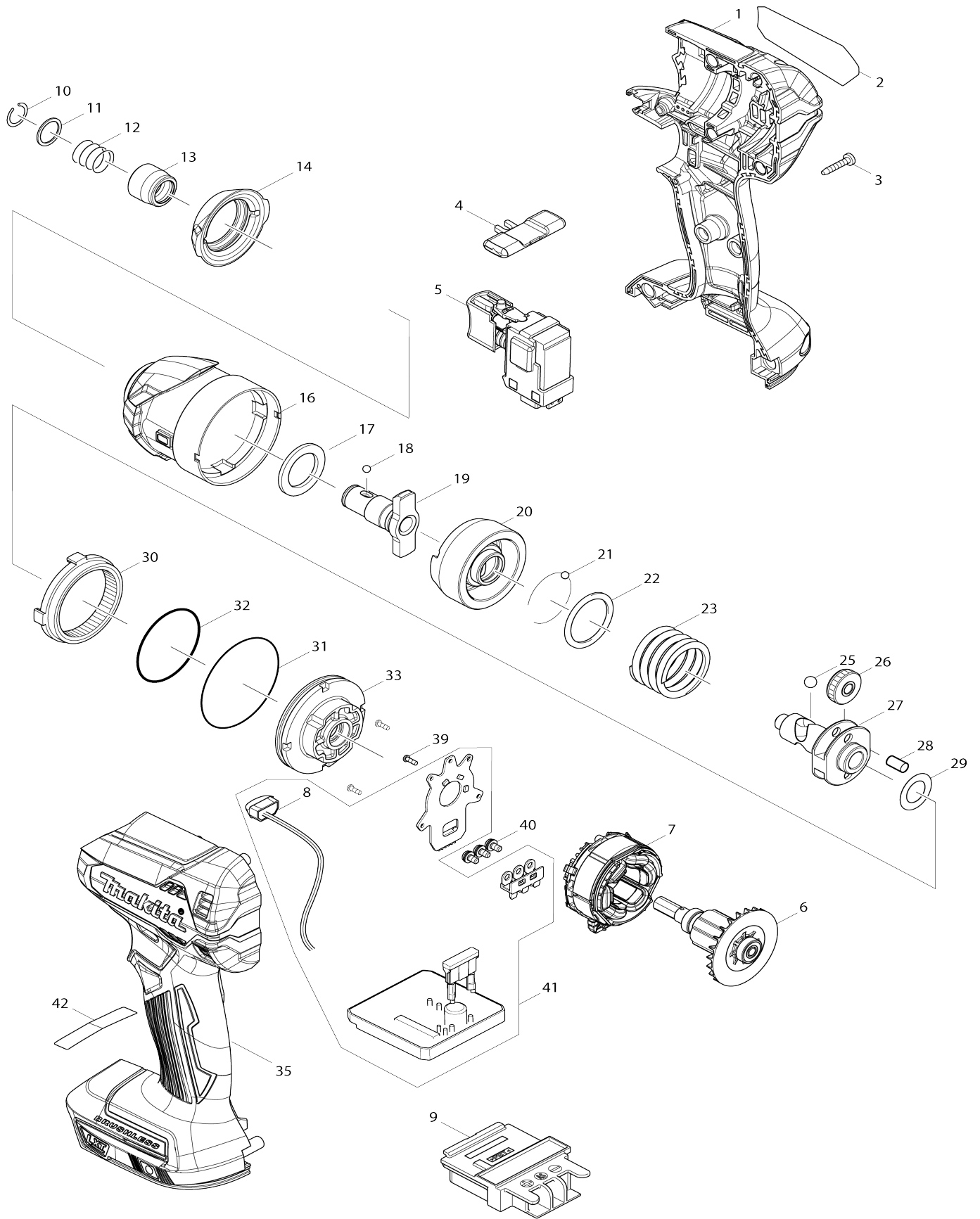


CORDLESS HAMMER DRIVER DRILL

Item No.	Parts No.	Description
001	811B51-8	DDF486 NAME PLATE
002	266130-9	TAPPING SCREW BIND PT 3X16
003	183R83-4	HOUSING SET
C10	263005-3	RUBBER PIN 6
C20	252126-6	HEX. LOCK NUT M4-7
003		INC. 20
004	232220-0	LEAF SPRING
005	127494-5	SPEED CHANGE LEVER ASSEMBLY
C10	233438-6	COMPRESSION SPRING 4
006	251468-5	- FLAT HEAD SCREW M6X22
007	763252-1	KEYLESS DRILL CHUCK 13
008	127699-7	GEAR ASSEMBLY
008-1	122B69-7	GEAR ASSEMBLY
008-2	122D49-5	GEAR ASSEMBLY
009	266326-2	TAPPING SCREW 4X18
009-1	265B67-9	TAPPING SCREW 4X18
010	619656-4	ROTOR
010-1	619656-4	ROTOR
011	629A33-8	STATOR COMPLETE
011-1	629B79-0	STATOR COMPLETE
011-2	629C05-5	STATOR COMPLETE
011-3	629C97-4	STATOR COMPLETE
011-4	629D26-3	STATOR COMPLETE
011-5	629D46-7	STATOR COMPLETE
012	413405-9	REAR COVER
013	266130-9	TAPPING SCREW BIND PT 3X16
014	419041-9	F/R CHANGE LEVER
015	651443-5	SWITCH C3JR-4B
016	643874-2	TERMINAL
017	811B59-2	DDF486 SERIAL NO. LABEL
019	620549-0	LED CIRCUIT
020	183R83-4	HOUSING SET
C10	263005-3	RUBBER PIN 6
C20	252126-6	HEX. LOCK NUT M4-7
020		INC. 3
A01	127702-4	GRIP ASSEMBLY
C10	140U91-6	POLE COMPLETE
C20	140X19-2	ARM R COMPLETE
C30	266886-4	HEX. BOLT M8X65
C40	312A63-3	ARM L
C50	962055-2	RETAINING RING (INT) R-15
A01-1	122C02-5	GRIP ASSEMBLY
C10	140U91-6	POLE COMPLETE
C20	140X19-2	ARM R COMPLETE
C30	266886-4	HEX. BOLT M8X65
C40	312C73-2	ARM L
C50	962055-2	RETAINING RING (INT) R-15

A01-2	122F13-8	GRIP ASSEMBLY
C10	141R99-5	POLE COMPLETE
C20	140X19-2	ARM R COMPLETE
C30	266886-4	HEX. BOLT M8X65
C40	312C73-2	ARM L
C50	962055-2	RETAINING RING (INT) R-15
A02	251314-2	+ TRUSS HEAD SCREW M4X12
A03	346317-0	HOOK
A04	452947-8	BIT HOLDER
A05	784637-8	+ - BIT 2-45
A06	821550-0	CONNECTOR PLASTIC CASE (TYP E2)
C10	453974-8	LATCH
A07	8030Y7-8	DDF486RTJ PLASTIC CASE LABEL
A08	8030Y6-0	DDF486RTJ INDICATION LABEL
A09	837916-4	INNER TRAY
A10	450128-8	BATTERY COVER
A11	***DC18RC	DC18RC FAST CHARGER
A11		COMPO-PARTS
A12	197280-8	BATTERY BL1850B SET

Model No.DTD153 CORDLESS IMPACT DRIVER



Model No.DTD153 CORDLESS IMPACT DRIVER

Item No.	Parts No.	Description
001	183E35-7	HOUSING SET
C10	263005-3	RUBBER PIN 6
C20	252126-6	HEX. LOCK NUT M4-7
001		INC. 35
002	852K79-1	DTD153 NAME PLATE
002-1	857L39-4	DTD153 NAME PLATE
003	266429-2	TAPPING SCREW 3X16
003-1	266130-9	TAPPING SCREW BIND PT 3X16
004	455053-8	F/R CHANGE LEVER
005	143975-1	SWITCH COMPLETE
005-1	141N42-0	SWITCH COMPLETE
006	619404-1	ROTOR
006-1	619404-1	ROTOR
007	629224-5	STATOR
008	620557-1	LED CIRCUIT
009	643860-3	TERMINAL
010	231951-8	RING SPRING 11
011	267085-1	FLAT WASHER 12
012	233005-7	COMPRESSION SPRING 13
013	326072-0	BIT SLEEVE
014	424888-8	BUMPER
016	143957-3	HAMMER CASE COMPLETE
017	261151-6	NYLON WASHER 19
018	216040-0	STEEL BALL 3.5
019	326565-7	ANVIL M
020	326564-9	HAMMER
021	216040-0	STEEL BALL 3.5
022	267175-0	FLAT WASHER 24
023	234251-5	COMPRESSION SPRING 25
025	216041-8	STEEL BALL 5.6
026	227362-3	SPUR GEAR 22
027	326562-3	SPINDLE
028	256253-1	PIN 5
029	253314-8	THIN WASHER 15
030	227378-8	INTERNAL GEAR 51
031	213606-7	O RING 48
032	213507-9	O RING 40
033	143958-1	BEARING BOX COMPLETE
035	183E35-7	HOUSING SET
C10	263005-3	RUBBER PIN 6
C20	252126-6	HEX. LOCK NUT M4-7
035		INC. 1
039	266490-9	TAPPING SCREW PT 2X6
039-1	265C47-1	TAPPING SCREW PT 2X6
040	652069-6	FLAT HEAD SCREW M3X6
041	620563-6	CONTROLLER
041		INC. 8

041-1	620J73-3	CONTROLLER
041-1		INC. 8
041-2	620563-6	CONTROLLER
041-2		INC. 8
043	857L40-9	DTD153 SERIAL NO. LABEL
A01	266622-8	+ TRUSS HEAD SCREW M4X12
A02	346317-0	HOOK
A03	450128-8	BATTERY COVER
A04	***DC18RC	DC18RC FAST CHARGER
A04		COMPO-PARTS
A05	197600-6	BATTERY BL1830B SET
A05	197280-8	BATTERY BL1850B SET
A05-1	197600-6	BATTERY BL1830B SET
A05-1	197280-8	BATTERY BL1850B SET
A06	141856-3	PLASTIC CARRYING CASE COMPLETE
C10	162302-3	LATCH
F02	194281-7	STOPPER SET (W/BITS)
F04	194649-7	BATTERY PROTECTOR
F05	194654-4	HOOK SET
F06-1	197043-2	TOOL HANGER SET